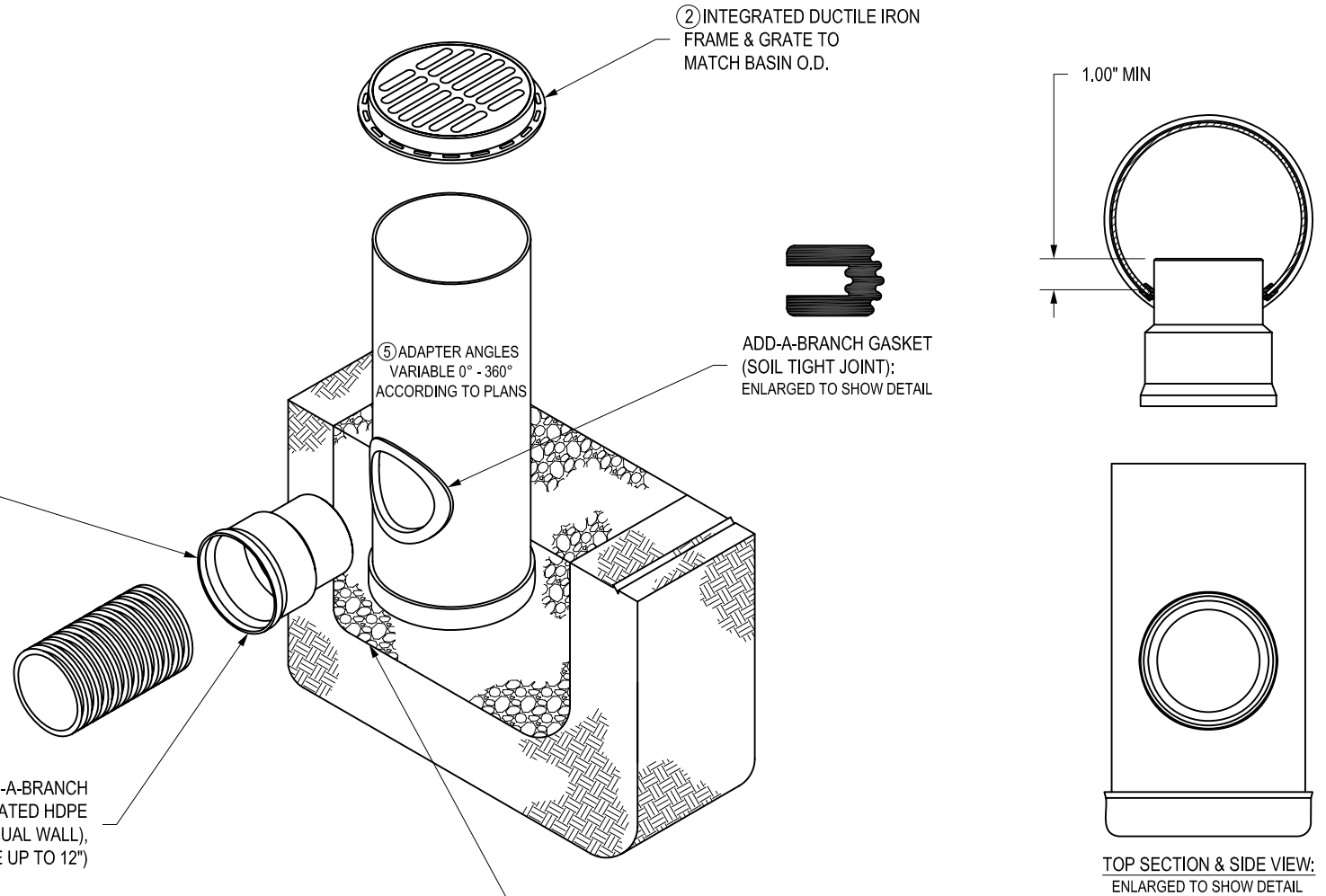


NYLOPLAST DRAIN BASIN WITH ADD-A-BRANCH

PIPE SIZE	PART #	MIN. BASIN SIZE
4"	6004AG _	8"
6"	6006AG _	10"
8"	6008AG _	12"
10"	6010AG _	15"
12"	6012AG _	18"
15"	6015AG _	24"
4"	6004AG _30	SPEC. TO 30"
6"	6006AG _30	SPEC. TO 30"
8"	6008AG _30	SPEC. TO 30"
10"	6010AG _30	SPEC. TO 30"
12"	6012AG _30	SPEC. TO 30"
15"	6015AG _30	SPEC. TO 30"
18"	6018AG _30	30"




④ VARIOUS TYPES OF INLET & OUTLET ADD-A-BRANCH ADAPTERS AVAILABLE: 4" - 18" FOR CORRUGATED HDPE (ADS N-12, ADS SINGLE WALL, HANCOR DUAL WALL), SDR 35, & SCH 40 DWV (DWV AVAILABLE UP TO 12")

THE BACKFILL MATERIAL SHALL BE CRUSHED STONE OR OTHER GRANULAR MATERIAL MEETING THE REQUIREMENTS OF CLASS II MATERIAL AS DEFINED IN ASTM D2321. BEDDING & BACKFILL FOR SURFACE DRAINAGE INLETS SHALL BE PLACED & COMPACTED UNIFORMLY IN ACCORDANCE WITH ASTM D2321.

- 1 - ADD-A-BRANCH (PATENT NO. 6349936) AVAILABLE FOR ALL 8" - 30" STRUCTURE OPTIONS (CUSTOM BASIN, ROAD & HIGHWAY, & CURB INLET)
- ②- FRAMES, GRATES, HOODS, & BASE PLATES SHALL BE DUCTILE IRON PER ASTM A536 GRADE 70-50-05, WITH THE EXCEPTION OF THE BRONZE GRATES
- 3 - DRAIN BASIN TO BE CUSTOM MANUFACTURED ACCORDING TO PLAN DETAILS RISERS ARE NEEDED FOR BASINS OVER 84" DUE TO SHIPPING RESTRICTIONS SEE DRAWING NO. 7001-110-065
- ④- DRAINAGE CONNECTION STUB JOINT TIGHTNESS SHALL CONFORM TO ASTM D3212 FOR CORRUGATED HDPE (ADS & HANCOR DUAL WALL) & SDR 35 PVC
- ⑤- ADD-A-BRANCH ADAPTERS CAN BE MOUNTED ON ANY ANGLE 0° TO 360°. TO DETERMINE MINIMUM ANGLE BETWEEN ADAPTERS SEE DRAWING NO. 0110-110-005, 0110-110-006, 0110-110-007, & 0110-110-008

THIS PRINT DISCLOSES SUBJECT MATTER IN WHICH NYLOPLAST HAS PROPRIETARY RIGHTS. THE RECEIPT OR POSSESSION OF THIS PRINT DOES NOT CONFER, TRANSFER, OR LICENSE THE USE OF THE DESIGN OR TECHNICAL INFORMATION SHOWN HEREIN REPRODUCTION OF THIS PRINT OR ANY INFORMATION CONTAINED HEREIN, OR MANUFACTURE OF ANY ARTICLE HEREFROM, FOR THE DISCLOSURE TO OTHERS IS FORBIDDEN, EXCEPT BY SPECIFIC WRITTEN PERMISSION FROM NYLOPLAST.

DRAWN BY	EBC	MATERIAL
DATE	5-9-06	
APPD BY	CJA	PROJECT NO./NAME
DATE	5-9-06	
DWG SIZE	A	SCALE 1:25 SHEET 1 OF 1

	3130 VERONA AVE BUFORD, GA 30518 PHN (770) 932-2443 FAX (770) 932-2490 www.nyloplast-us.com
	TITLE DRAIN BASIN WITH ADD-A-BRANCH QUICK SPEC INSTALLATION DETAIL
DWG NO.	0110-110-009 REV B

Nyloplast-ADS Introduces the New ADD-a-BRANCH™

Now, adding a stub to a Nyloplast-ADS Structure in the field is simple.



The Patented Add-a-Branch™ Innovation

Now you can quickly and easily add a new inlet/outlet to a Nyloplast-ADS Drain Basin, Curb Inlet Structure or Road and Highway Structure on site with only a drill and a jig saw. Or, if the location of the inlet/outlet is undetermined, you can order your Nyloplast-ADS structure without outlets and use an Add-a-Branch in the field.

See reverse side for installation instructions.


Nyloplast® A DIVISION OF
ADVANCED DRAINAGE
SYSTEMS, INC.


ADS

3130 Verona Avenue • Buford, Georgia 30518 • (866) 888-8479 / (770) 932-2443 - Fax: (770) 932-2490 • <http://www.ads-pipe.com>

ADD-a-BRANCH™ Installation Instructions



1
Nyloplast Drain Basin ready for Add-a-Branch Installation.



2
Determine desired location of Add-a-Branch. Use the provided adhesive template to mark location.



3
Use 1/2" drill bit to drill a saw starter hole at the location marked on the template.



4
Use a jigsaw to cut between the marked lines (follow the lines carefully). Remove burrs with a file or knife.



5
Install Add-a-Branch gasket into cut-out hole starting from the bottom and working it around until the inside flange is fit properly.



6
Once the Add-a-Branch gasket is installed, lubricate inner surface with standard pipe lubricant.



7
Install Add-a-Branch adapter by inserting one edge and twisting while pressing firmly toward the center of the drain basin.



8
Check to make sure it is fully seated into the gasket and straight.



9
Add-a-Branch installation is complete and ready for pipe to be inserted.

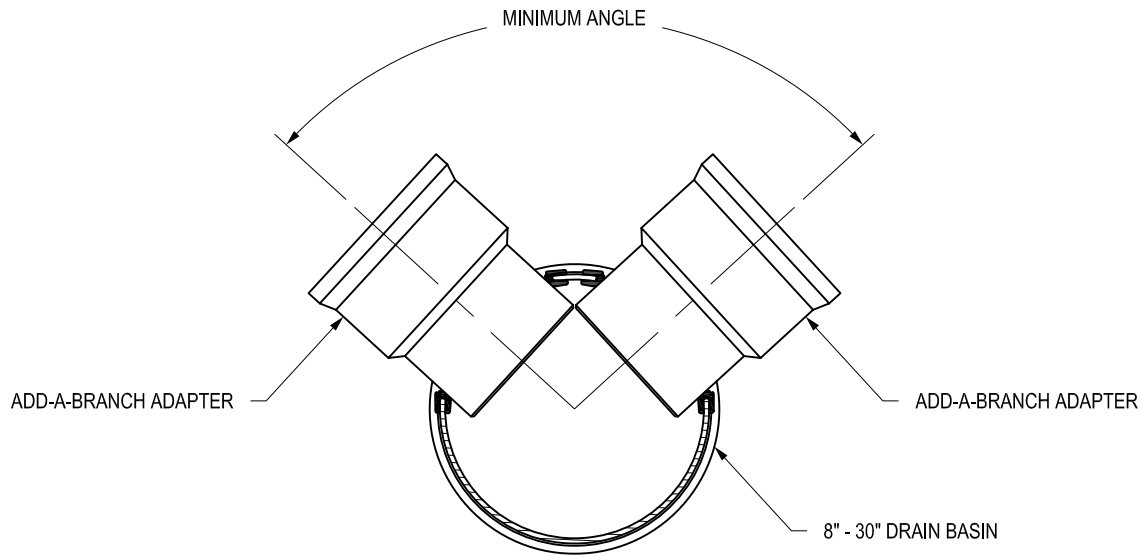
ADD-a-BRANCH™ Includes Ring, Template and Bell Spigot Adapter

Part#/Prefix	Product Description	Minimum Structure Size
6004AGN	4" Add-a-Branch™ N12 Field Installation Kit	8"
6006AGN	6" Add-a-Branch™ N12 Field Installation Kit	10"
6008AGN	8" Add-a-Branch™ N12 Field Installation Kit	12"
6010AGN	10" Add-a-Branch™ N12 Field Installation Kit	15"
6012AGN	12" Add-a-Branch™ N12 Field Installation Kit	18"
6015AGN	15" Add-a-Branch™ N12 Field Installation Kit	24"
6018AGN	18" Add-a-Branch™ N12 Field Installation Kit	30"
6004AGS	4" Add-a-Branch™ SDR Field Installation Kit	8"
6006AGS	6" Add-a-Branch™ SDR Field Installation Kit	10"
6008AGS	8" Add-a-Branch™ SDR Field Installation Kit	12"
6010AGS	10" Add-a-Branch™ SDR Field Installation Kit	15"
6012AGS	12" Add-a-Branch™ SDR Field Installation Kit	18"
6015AGS	15" Add-a-Branch™ SDR Field Installation Kit	24"
6018AGS	18" Add-a-Branch™ SDR Field Installation Kit	30"

8 IN - 30 IN MINIMUM ANGLE BETWEEN ADD-A-BRANCH ADAPTERS

THIS CHART DOES NOT APPLY WHEN USING A SNOOT


ADAPTER SIZE	8" BASIN	10" BASIN	12" BASIN	15" BASIN	18" BASIN	24" BASIN	30" BASIN
4" - 4"	119°	96°	75°	60°	48°	38°	28°
4" - 6"	-	100°	87°	69°	55°	43°	32°
4" - 8"	-	-	102°	79°	63°	49°	36°
4" - 10"	-	-	-	91°	71°	55°	40°
4" - 12"	-	-	-	-	80°	61°	45°
4" - 15"	-	-	-	-	-	70°	51°
4" - 18"	-	-	-	-	-	-	58°
6" - 6"	-	127°	100°	78°	62°	49°	36°
6" - 8"	-	-	114°	88°	70°	55°	40°
6" - 10"	-	-	-	100°	79°	61°	44°
6" - 12"	-	-	-	-	87°	67°	49°
6" - 15"	-	-	-	-	-	76°	55°
6" - 18"	-	-	-	-	-	-	62°
8" - 8"	-	-	129°	98°	78°	60°	44°
8" - 10"	-	-	-	110°	86°	66°	49°
8" - 12"	-	-	-	-	95°	72°	53°
8" - 15"	-	-	-	-	-	82°	59°
8" - 18"	-	-	-	-	-	-	67°
10" - 10"	-	-	-	122°	95°	72°	53°
10" - 12"	-	-	-	-	103°	78°	57°
10" - 15"	-	-	-	-	-	88°	63°
10" - 18"	-	-	-	-	-	-	71°
12" - 12"	-	-	-	-	112°	84°	61°
12" - 15"	-	-	-	-	-	94°	67°
12" - 18"	-	-	-	-	-	103°	75°
15" - 15"	-	-	-	-	-	-	73°
15" - 18"	-	-	-	-	-	-	81°
18" - 18"	-	-	-	-	-	-	87°



THIS PRINT DISCLOSES SUBJECT MATTER IN WHICH NYLOPLAST HAS PROPRIETARY RIGHTS. THE RECEIPT OR POSSESSION OF THIS PRINT DOES NOT CONFER, TRANSFER, OR LICENSE THE USE OF THE DESIGN OR TECHNICAL INFORMATION SHOWN HEREIN. REPRODUCTION OF THIS PRINT OR ANY INFORMATION CONTAINED HEREIN, OR MANUFACTURE OF ANY ARTICLE HEREFROM, FOR THE DISCLOSURE TO OTHERS IS FORBIDDEN, EXCEPT BY SPECIFIC WRITTEN PERMISSION FROM NYLOPLAST.

©2009 NYLOPLAST

DRAWN BY	EBC	MATERIAL
DATE	2-17-06	
REVISED BY	EBC	PROJECT NO./NAME
DATE	10-6-09	
DWG SIZE	A	SCALE NTS SHEET 1 OF 1

	3130 VERONA AVE BUFORD, GA 30518 PHN (770) 932-2443 FAX (770) 932-2490 www.nyloplast-us.com	
	TITLE 8 IN - 30 IN MINIMUM ANGLE BETWEEN ADD-A-BRANCH ADAPTERS	
DWG NO.	0110-110-005	REV B