

FLEXSTORM P/Ns FOR NYLOPLAST ROUND FRAME AND GRATE

INLET TYPE NYLO: ROUND IN NYLOPLAST BASIN

Casting Size	FX Bag		Flexstorm Ratings (Flow at 50% of max)			FX+ Bag
	ADS P/N	Bag Depth	Bag Capacity (ft ³)	FX/FX+ Flow Rate (CFS)	Total Bypass (CFS)	ADS P/N
12" Round	6212NYFX	22"	0.3	1.4	4.6	6212NYFXP
15" Round	6215NYFX	22"	0.6	1.7	5.9	6215NYFXP
18" Round	6218NYFX	22"	0.9	2.1	7.3	6218NYFXP
24" Round	6224NYFX	22"	1.6	2.8	10.1	6224NYFXP
30" Round	6230NYFX	22"	2.8	3.6	13.1	6230NYFXP

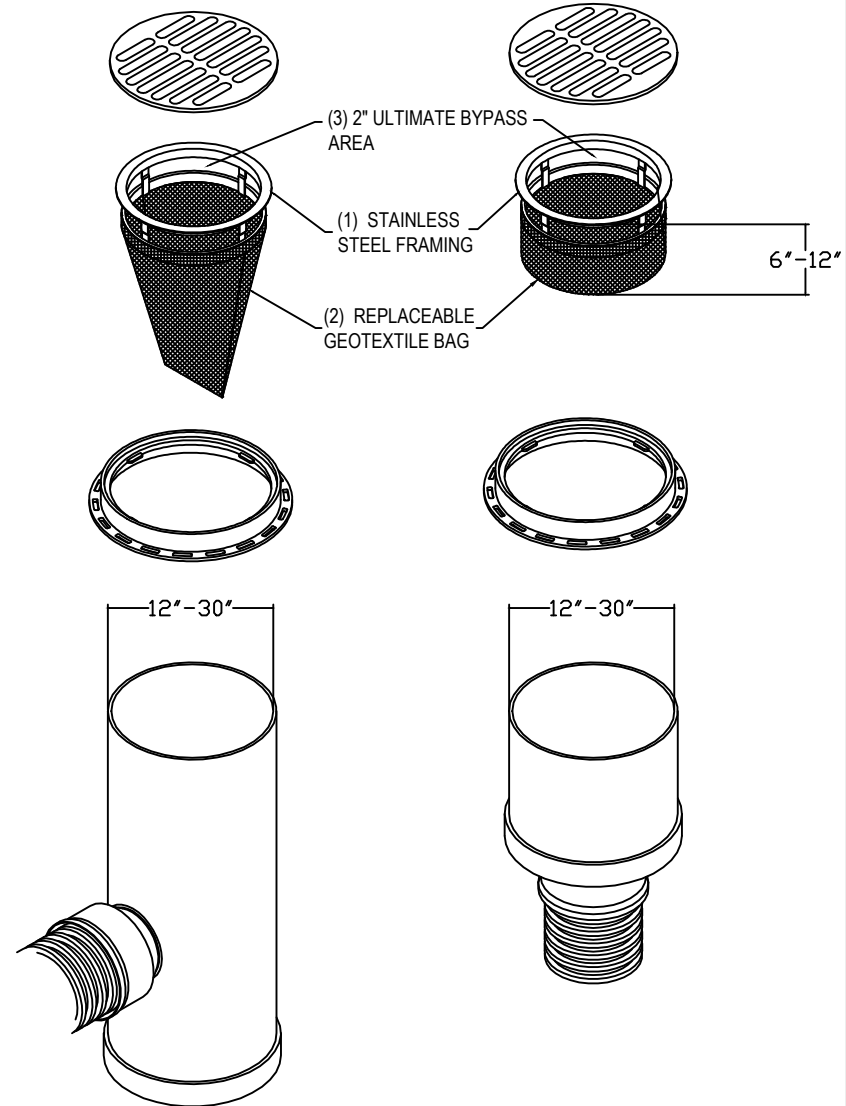
Casting Size	FX Short Bag		Flexstorm Ratings (Flow at 50% of max)			FX+ Short Bag
	ADS P/N	Bag Depth	Bag Capacity (ft ³)	FX/FX+ Flow Rate (CFS)	Total Bypass (CFS)	ADS P/N
12" Round	6212NYFXS	6"	0.2	0.7	4.6	6212NYFXPS
15" Round	6215NYFXS	12"	0.3	0.8	5.9	6215NYFXPS
18" Round	6218NYFXS	12"	0.4	1.0	7.3	6218NYFXPS
24" Round	6224NYFXS	12"	0.8	1.4	10.1	6224NYFXPS
30" Round	6230NYFXS	12"	1.4	1.8	13.1	6230NYFXPS

Casting Size	PC Bag		Flexstorm Ratings (Flow at 50% of max)			PC+ Bag
	ADS P/N	Bag Depth	Bag Capacity (ft ³)	PC/PC Flow Rate (CFS)	Total Bypass (CFS)	ADS P/N
12" Round	6212NYPC	22"	0.3	0.9	4.6	6212NYPCP
15" Round	6215NYPC	22"	0.6	1.2	5.9	6215NYPCP
18" Round	6218NYPC	22"	0.9	1.4	7.3	6218NYPCP
24" Round	6224NYPC	22"	1.6	1.9	10.1	6224NYPCP
30" Round	6230NYPC	22"	2.8	2.5	13.1	6230NYPCP

Casting Size	PC Short Bag		Flexstorm Ratings (Flow at 50% of max)			PC+ Short Bag
	ADS P/N	Bag Depth	Bag Capacity (ft ³)	PC/PC+ Flow Rate (CFS)	Total Bypass (CFS)	ADS P/N
12" Round	6212NYPCS	6"	0.2	0.5	4.6	6212NYPCPS
15" Round	6215NYPCS	12"	0.3	0.6	5.9	6215NYPCPS
18" Round	6218NYPCS	12"	0.4	0.7	7.3	6218NYPCPS
24" Round	6224NYPCS	12"	0.8	1.0	10.1	6224NYPCPS
30" Round	6230NYPCS	12"	1.4	1.2	13.1	6230NYPCPS

STANDARD BAG DEPTH

SHORT BAG DEPTH



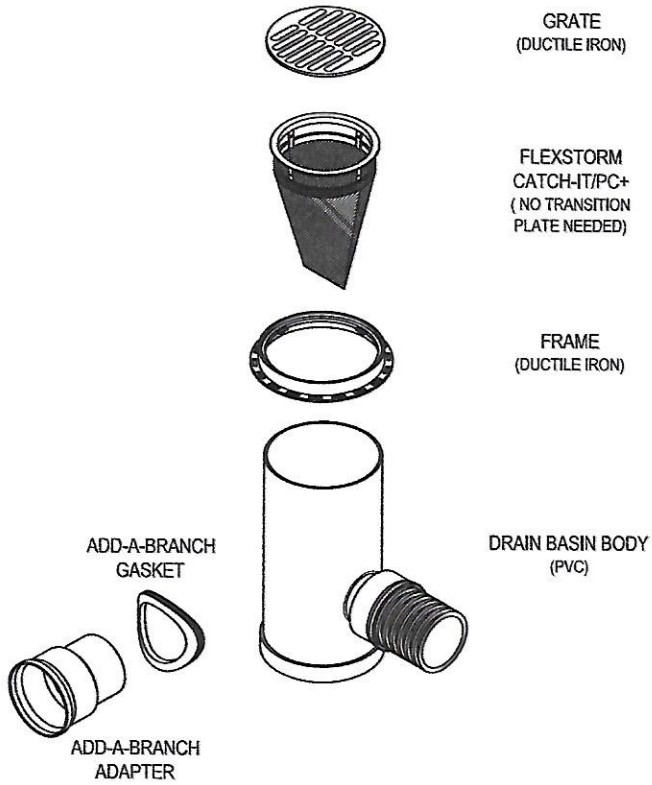
ALL PRODUCTS MANUFACTURED BY INLET & PIPE PROTECTION, INC A DIVISION OF ADS, INC.
WWW.INLETFILTERS.COM
 (866) 287-8655 PH
 (630) 355-3477 FX
INFO@INLETFILTERS.COM

THIS PRINT RESOLVES SUBJECT MATTER IN WHICH FLEXSTORM HAS PROPRIETARY RIGHTS. THE RECEIPT OR POSSESSION OF THIS PRINT DOES NOT CONSTITUTE, TRANSFER, OR LICENSE THE USE OF THE DESIGN OR TECHNICAL INFORMATION SHOWN HEREIN. REPRODUCTION OF THIS PRINT OR ANY INFORMATION CONTAINED HEREIN, OR MANUFACTURE OF ANY ARTICLE HEREFROM, FOR THE RESOLUTION TO OTHERS IS FORBIDDEN, EXCEPT BY WRITTEN PERMISSION FROM FLEXSTORM.	SIZE	FRAME TYPE	DWG NO	REV
	C	NY	NYLOPLAST	A
SCALE				SHEET 1 OF 1

©2013 ADS, INC.

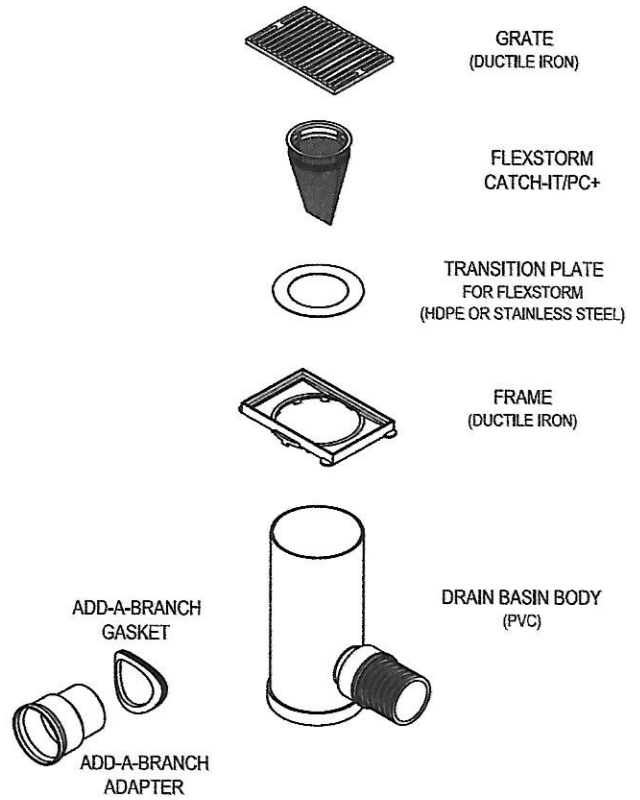
NYLOPLAST DRAIN BASIN ASSEMBLY

(ADD-A-BRANCH & FLEXSTORM INSERT ARE OPTIONAL)



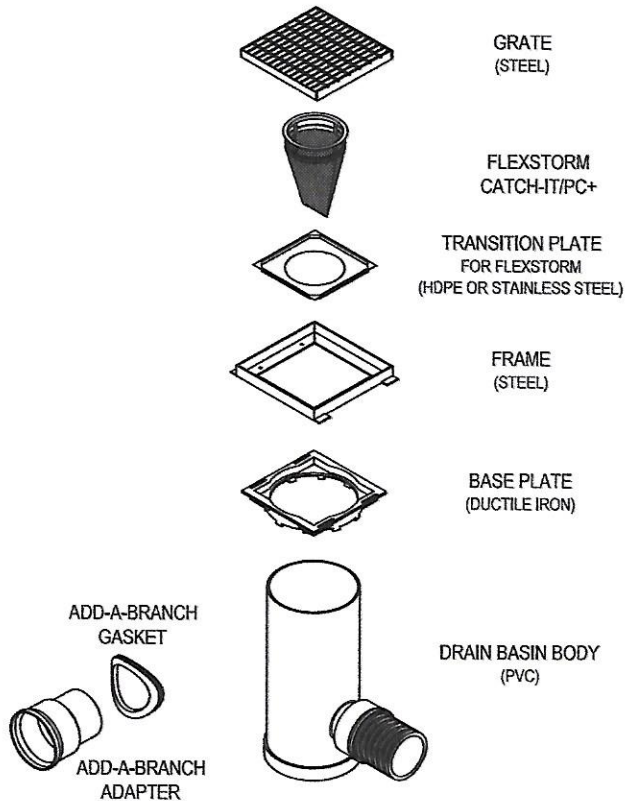
NYLOPLAST ROAD & HIGHWAY ASSEMBLY

(ADD-A-BRANCH & FLEXSTORM INSERT ARE OPTIONAL)



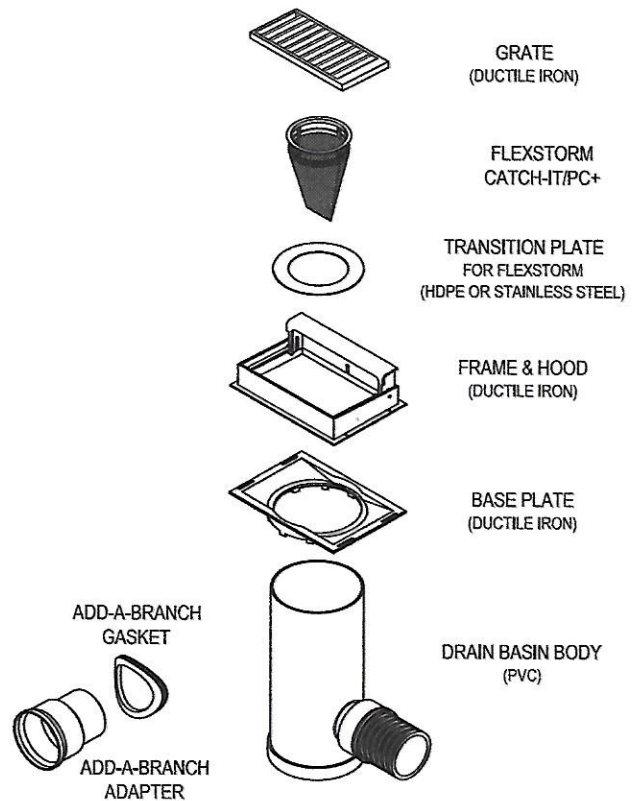
NYLOPLAST DRAIN BASIN & STEEL BAR GRATE ASSEMBLY

(ADD-A-BRANCH & FLEXSTORM INSERT ARE OPTIONAL)



NYLOPLAST CURB INLET ASSEMBLY

(ADD-A-BRANCH & FLEXSTORM INSERT ARE OPTIONAL)





FlexStorm Transition Plate Chart

Grate Description	Transition Plate Part #	FlexStorm Size	Notes
12" Standard, Pedestrian, Bronze, Dome	No plate required	12"	Applies to dome grate with frame - frameless transition pending
15" Standard, Pedestrian, Bronze, Dome	No plate required	15"	Applies to dome grate with frame - frameless transition pending
18" Standard, Pedestrian, Dome	No plate required	18"	Applies to dome grate with frame - frameless transition pending
24" Standard, Pedestrian, Dome	No plate required	24"	Applies to dome grate with frame - frameless transition pending
30" Standard, Pedestrian, Dome	No plate required	30"	Applies to dome grate with frame - frameless transition pending
2 ft x 2 ft x 12 in Curb Inlet	5212AGTP12	12"	
2 ft x 2 ft x 15 in Curb Inlet	5215AGTP15	15"	
2 ft x 2 ft x 18 in Curb Inlet	5518AGTP18	18"	
2 ft x 2 ft x 24 in Curb Inlet	5518AGTP24	18"	
2 ft x 2 ft x 30 in Curb Inlet	5518AGTP30	18"	
2 ft x 3 ft x 18 in Curb Inlet	5518AGTP18	18"	
2 ft x 3 ft x 24 in Curb Inlet	5518AGTP24	18"	
2 ft x 3 ft x 30 in Curb Inlet	5518AGTP30RCI	18"	
2 ft x 3 ft x 18 in Roll Curb Inlet	5518AGTP18	18"	Limitations may apply for frame adjustment
2 ft x 3 ft x 24 in Roll Curb Inlet	5518AGTP24	18"	Limitations may apply for frame adjustment
2 ft x 3 ft x 30 in Roll Curb Inlet	5518AGTP30RRC	18"	Limitations may apply for frame adjustment
2 ft x 2 ft x 12 in Road & Highway (new style - 2 pc)	5212AGTP12	12"	
2 ft x 2 ft x 15 in Road & Highway (new style - 2 pc)	5215AGTP15	15"	
2 ft x 2 ft x 18 in Road & Highway (new style - 2 pc)	5518AGTP18	18"	
2 ft x 2 ft x 24 in Road & Highway (new style - 2 pc)	5518AGTP24SQRD	18"	Pending no transition plate for use with 24" FlexStorm
2 ft x 2 ft x 30 in Road & Highway (new style - 2 pc)	5518AGTP30SQRD	18"	
2 ft x 3 ft x 18 in Road & Highway (new style - 2 pc)	5518AGTP18	18"	
2 ft x 3 ft x 24 in Road & Highway (new style - 2 pc)	5518AGTP24RRD	18"	
2 ft x 3 ft x 30 in Road & Highway (new style - 2 pc)	5518AGTP30RRD	18"	
2 ft x 2 ft x 12 in Steel Bar MAG style	5212AGTP12	12"	
2 ft x 2 ft x 15 in Steel Bar MAG style	5215AGTP15	15"	
2 ft x 2 ft x 18 in Steel Bar MAG style	5518AGTP18	18"	
2 ft x 2 ft x 24 in Steel Bar MAG style	5518AGTP24SSB	18"	
2 ft x 2 ft x 30 in Steel Bar MAG style	5518AGTP24SSB	18"	
2 ft x 3 ft x 18 in Steel Bar MAG style	5518AGTP18	18"	
2 ft x 3 ft x 24 in Steel Bar MAG style	5518AGTP24RSBM	18"	
2 ft x 3 ft x 30 in Steel Bar MAG style	5518AGTP30RSBM	18"	



FLEXSTORM Catch-It™

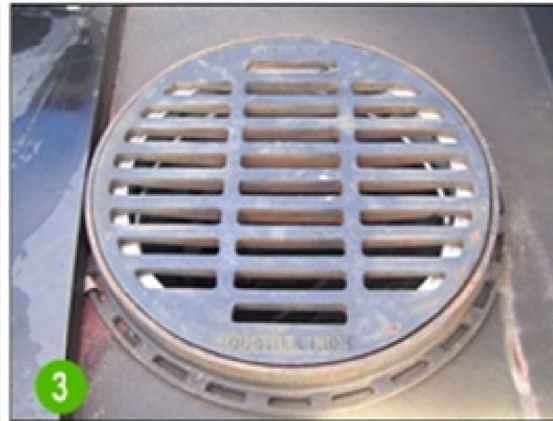
[Go To Main Menu](#)

[Print](#)

[Exit](#)



1 Nyloplast drainage structure & frame (24" shown) ready for FLEXSTORM Catch-It™ install



3 Reinstall the grate and check for proper fit



5 Using the FLEXSTORM Universal Removal Tool or other lifting device lift the Catch-It™ straight up



2 Clean debris from frame and install Catch-It™. Check for proper fit



4 To clean the Catch-It™ remove the grate



6 Reinstall the grate for safety while emptying the Catch-It™ then repeat the installation