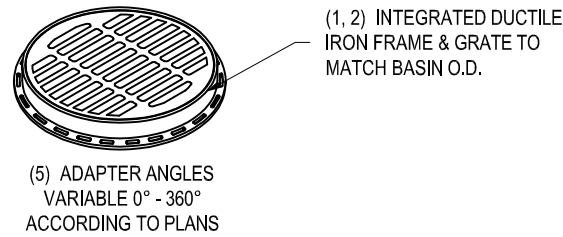
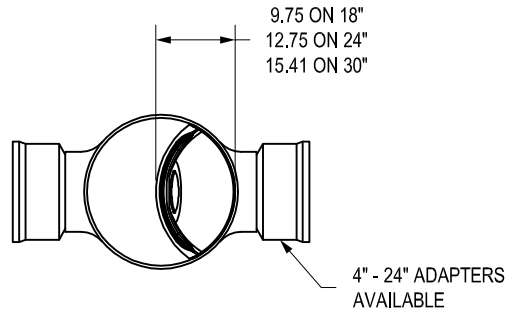
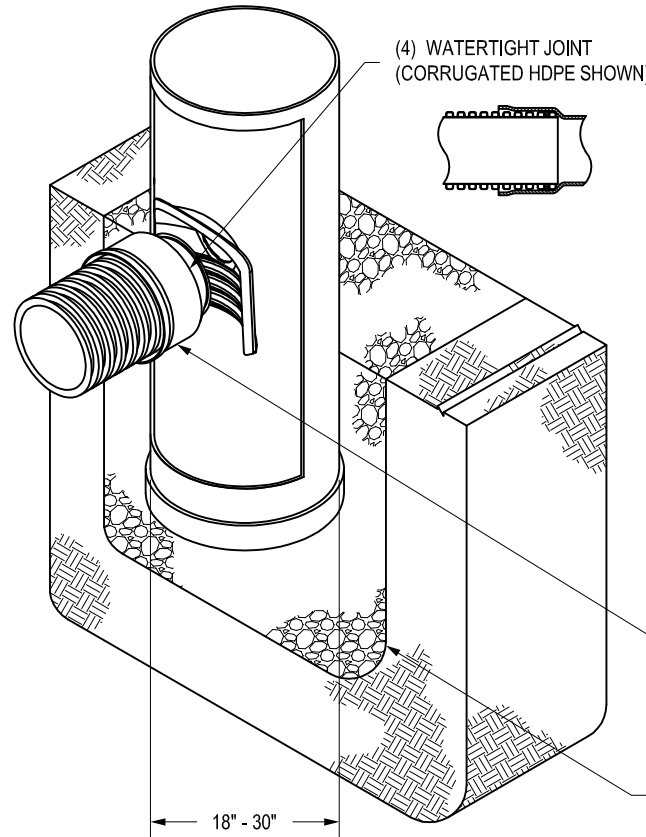
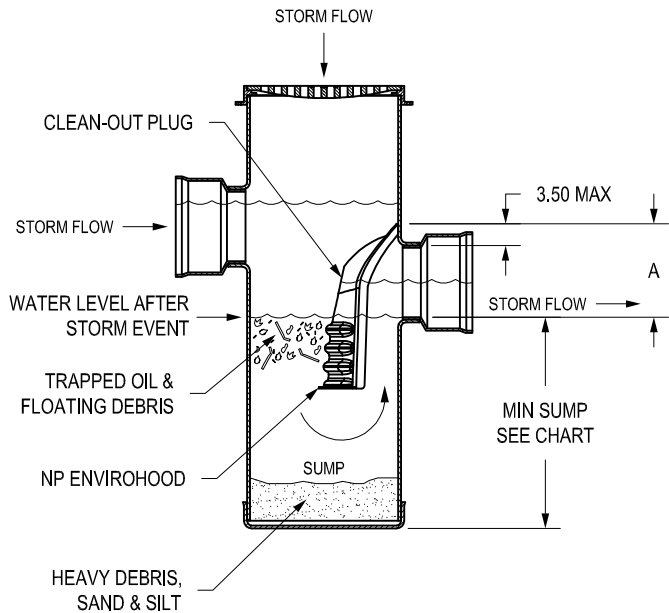


NYLOPLAST DRAIN BASIN WITH ENVIROHOOD



PIPE SIZE	A	MIN SUMP
4"	7.51	36.00
6"	9.25	36.00
8"	11.29	36.00
10"	13.21	36.00
12"	15.05	36.00
15"	17.78	42.00
18"	20.98	48.00



PIPE SIZE	PERCENTAGE OF OUTLET OPEN AREA RESTRICTION		
	5818AG0412	5824AG0415	5830AG0418
4"	0%	0%	0%
6"	0%	0%	0%
8"	0%	0%	0%
10"	0%	0%	0%
12"	33%	0%	0%
15"	-	12%	0%
18"	-	-	0%
24"	-	-	-

MAINTENANCE INSTRUCTIONS:

1. THE STRUCTURE SHOULD BE INSPECTED AT LEAST ONCE PER MONTH FOR THE FIRST YEAR, OR UNTIL THE SITE HAS STABILIZED.
2. THE STRUCTURE SHALL BE CLEANED IF ACCUMULATED DEBRIS IS EQUAL OR GREATER TO THE FOLLOWING:
 - A. DEBRIS IN SUMP - 18" MAX
 - B. FLOATABLE DEBRIS - 6" MAX
3. THE DEBRIS SHALL BE CLEANED AND RINSED THOROUGHLY AS SPECIFIED BY ENGINEER BASED ON SITE CONDITIONS.

(4) VARIOUS TYPES OF INLET & OUTLET ADAPTERS AVAILABLE: 4" - 30" FOR CORRUGATED HDPE (ADS N-12/HANCOR DUAL WALL, ADS/HANCOR SINGLE WALL), N-12 HP, PVC SEWER (EX: SDR 35), PVC DWV (EX: SCH 40), PVC C900/C905, CORRUGATED & RIBBED PVC

THE BACKFILL MATERIAL SHALL BE CRUSHED STONE OR OTHER GRANULAR MATERIAL MEETING THE REQUIREMENTS OF CLASS I OR II MATERIAL AS DEFINED IN ASTM D2321. BEDDING & BACKFILL FOR SURFACE DRAINAGE INLETS SHALL BE PLACED & COMPACTED UNIFORMLY IN ACCORDANCE WITH ASTM D2321.

- 1 - ENVIROHOOD AVAILABLE WITH ALL 18" - 30" STRUCTURE OPTIONS (CUSTOM BASIN, ROAD & HIGHWAY, & CURB INLET).
- 2 - FRAMES, GRATES, COVERS, HOODS, & BASE PLATES SHALL BE DUCTILE IRON PER ASTM A536 GRADE 70-50-05.
- 3 - DRAIN BASIN TO BE CUSTOM MANUFACTURED ACCORDING TO PLAN DETAILS RISERS ARE NEEDED FOR BASINS OVER 84" DUE TO SHIPPING RESTRICTIONS SEE DRAWING NO. 7001-110-065.
- 4 - DRAINAGE CONNECTION STUB JOINT TIGHTNESS SHALL CONFORM TO ASTM D3212 FOR CORRUGATED HDPE (ADS N-12/HANCOR DUAL WALL), N-12 HP, & PVC SEWER (4" - 18").
- 5 - ADAPTERS CAN BE MOUNTED ON ANY ANGLE 0° TO 360°. TO DETERMINE MINIMUM ANGLE BETWEEN ADAPTERS SEE DRAWING NO. 7004-110-111.

THIS PRINT DISCLOSES SUBJECT MATTER IN WHICH NYLOPLAST HAS PROPRIETARY RIGHTS. THE RECEIPT OR POSSESSION OF THIS PRINT DOES NOT CONFER, TRANSFER, OR LICENSE THE USE OF THE DESIGN OR TECHNICAL INFORMATION SHOWN HEREIN REPRODUCTION OF THIS PRINT OR ANY INFORMATION CONTAINED HEREIN, OR MANUFACTURE OF ANY ARTICLE HEREFROM, FOR THE DISCLOSURE TO OTHERS IS FORBIDDEN, EXCEPT BY SPECIFIC WRITTEN PERMISSION FROM NYLOPLAST.

DRAWN BY JJC
DATE 11-11-13
APPD BY JJC
DATE 11-11-13

MATERIAL

REV BY CJA
DATE 08-19-14
APPD BY CJA
DATE 08-19-14

PROJECT NO./NAME

DWG SIZE A

SCALE 1:30 SHEET 1 OF 1



3130 VERONA AVE
BUFORD, GA 30518
PHN (770) 932-2443
FAX (770) 932-2490
www.nyloplast-us.com

TITLE
DRAIN BASIN WITH ENVIROHOOD
QUICK SPEC INSTALLATION DETAIL

DWG NO. 7004-110-100 REV C

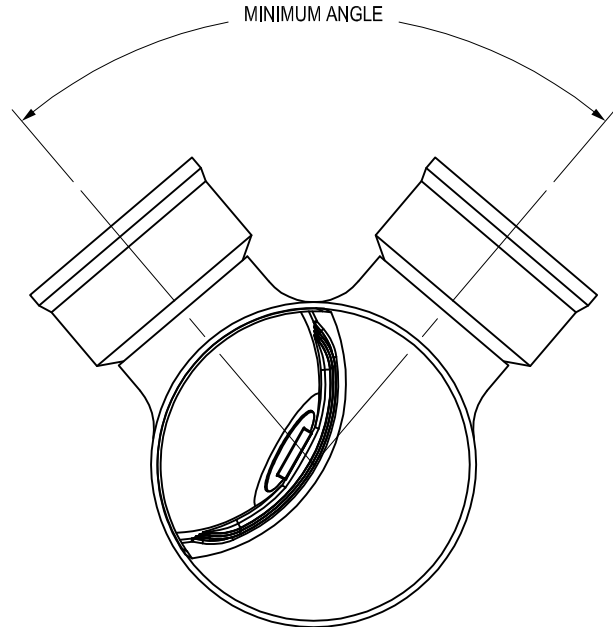
8 IN - 30 IN MINIMUM ANGLE BETWEEN ADAPTERS WITH ENVIROHOOD

THIS CHART DOES NOT APPLY WHEN USING ADD-A-BRANCH OR INSERTA-TEE

ADAPTER SIZE

(first size is the covered adapter)

ADAPTER SIZE	18" BASIN	24" BASIN	30" BASIN
4" - 4"	40°	30°	24°
4" - 6"	46°	35°	27°
4" - 8"	53°	40°	31°
4" - 10"	61°	46°	35°
4" - 12"	68°	50°	40°
4" - 15"	81°	58°	44°
4" - 18"	110°	69°	51°
4" - 24"	-	107°	69°
4" - 30"	-	-	105°
6" - 6"	52°	39°	31°
6" - 8"	59°	44°	34°
6" - 10"	67°	50°	39°
6" - 12"	74°	55°	45°
6" - 15"	87°	62°	48°
6" - 18"	116°	73°	55°
6" - 24"	-	111°	73°
6" - 30"	-	-	109°
8" - 8"	66°	49°	38°
8" - 10"	74°	55°	45°
8" - 12"	81°	60°	48°
8" - 15"	94°	68°	55°
8" - 18"	123°	78°	60°
8" - 24"	-	116°	77°
8" - 30"	-	-	113°
10" - 10"	83°	61°	48°
10" - 12"	89°	66°	50°
10" - 15"	102°	73°	58°
10" - 18"	131°	84°	65°
10" - 24"	-	122°	81°
10" - 30"	-	-	117°
12" - 12"	96°	70°	56°
12" - 15"	109°	78°	60°
12" - 18"	138°	88°	68°
12" - 24"	-	126°	84°
12" - 30"	-	-	120°
15" - 15"	-	86°	69°
15" - 18"	-	96°	75°
15" - 24"	-	133°	90°
15" - 30"	-	-	132°
18" - 18"	-	-	79°
18" - 24"	-	-	97°
18" - 30"	-	-	-
24" - 24"	-	-	-
24" - 30"	-	-	-



1. ENVIROHOOD FOR 18" BASIN COVERS 4" - 12" ADAPTERS. ENVIROHOOD FOR 24" BASIN COVERS 4" - 15" ADAPTERS. ENVIROHOOD FOR 30" BASIN COVERS 4" - 18" ADAPTERS.
2. THE MINIMUM ANGLE CHART ONLY APPLIES TO BASINS WITH 2 ADAPTERS. CALL FOR MINIMUM ANGLE BETWEEN ADAPTERS FOR BASINS WITH A HOOD & MORE THAN 2 ADAPTERS.

THIS PRINT DISCLOSES SUBJECT MATTER IN WHICH NYLOPLAST HAS PROPRIETARY RIGHTS. THE RECEIPT OR POSSESSION OF THIS PRINT DOES NOT CONFER, TRANSFER, OR LICENSE THE USE OF THE DESIGN OR TECHNICAL INFORMATION SHOWN HEREIN. REPRODUCTION OF THIS PRINT OR ANY INFORMATION CONTAINED HEREIN, OR MANUFACTURE OF ANY ARTICLE HEREFROM, FOR THE DISCLOSURE TO OTHERS IS FORBIDDEN, EXCEPT BY SPECIFIC WRITTEN PERMISSION FROM NYLOPLAST.

©2012 NYLOPLAST

DRAWN BY JJC
DATE 07-02-12
APPD BY JJC
DATE 07-02-12

REV BY CJA
DATE 08-19-14
APPD BY CJA
DATE 08-19-14

DWG SIZE A

MATERIAL

PROJECT NO./NAME

SCALE NTS SHEET 1 OF 1

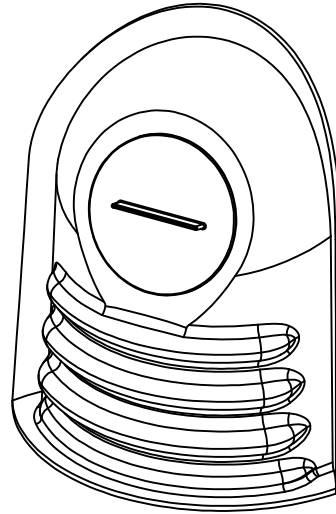
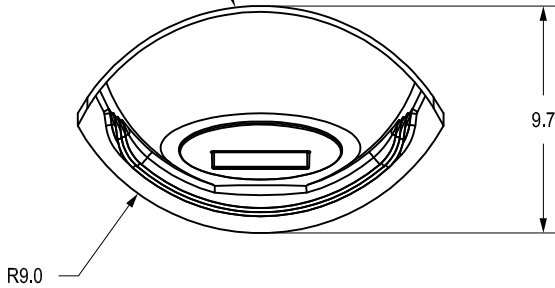


3130 VERONA AVE
BUFORD, GA 30518
PHN (770) 932-2443
FAX (770) 932-2490
www.nyloplast-us.com

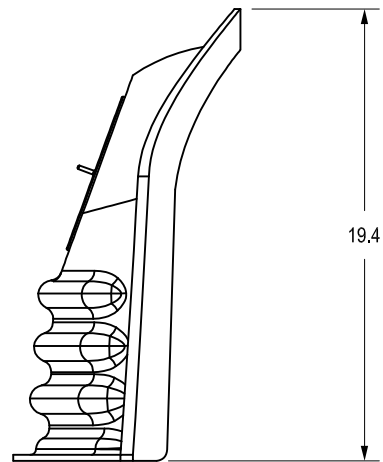
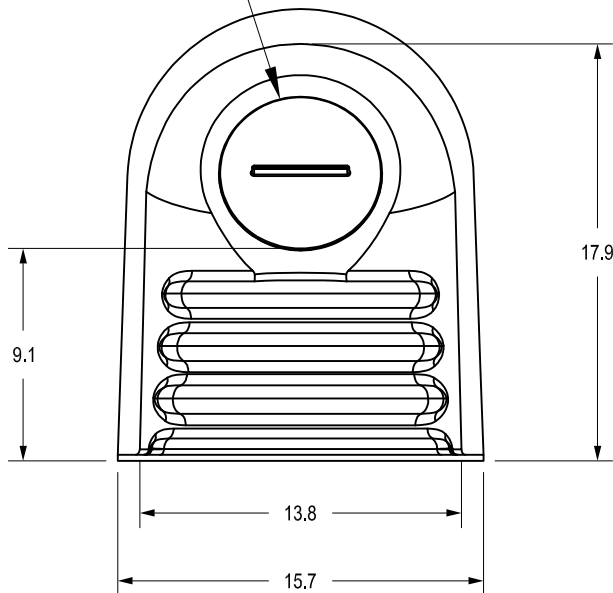
TITLE
NYLOPLAST ENVIROHOOD MINIMUM ANGLE BETWEEN ADAPTERS

DWG NO. 7004-110-111 REV B

DESIGNED TO FIT 18" DIA.
NYLOPLAST PVC DRAIN BASIN



REMOVABLE 6" ACCESS PORT



THIS PRINT DISCLOSES SUBJECT MATTER IN WHICH NYLOPLAST HAS PROPRIETARY RIGHTS. THE RECEIPT OR POSSESSION OF THIS PRINT DOES NOT CONFER, TRANSFER, OR LICENSE THE USE OF THE DESIGN OR TECHNICAL INFORMATION SHOWN HEREIN. REPRODUCTION OF THIS PRINT OR ANY INFORMATION CONTAINED HEREIN, OR MANUFACTURE OF ANY ARTICLE HEREFROM, FOR THE DISCLOSURE TO OTHERS IS FORBIDDEN, EXCEPT BY SPECIFIC WRITTEN PERMISSION FROM NYLOPLAST.

©2012 NYLOPLAST

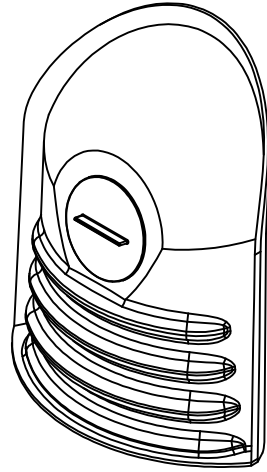
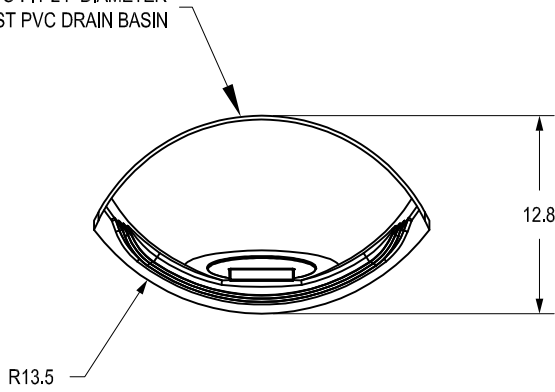
DRAWN BY	JJC	MATERIAL	HIGH DENSITY POLYETHYLENE	
DATE	7-2-12	PROJECT NO./NAME		
APPD BY	JJC	SCALE	NTS	SHEET 1 OF 1
DATE	7-2-12	DWG NO.	7004-110-105	REV A



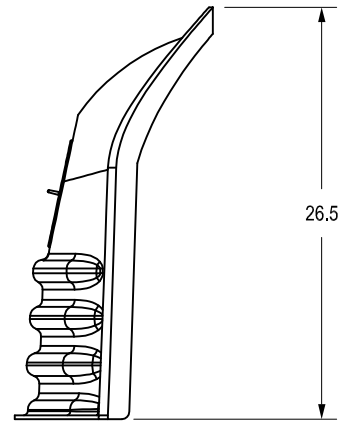
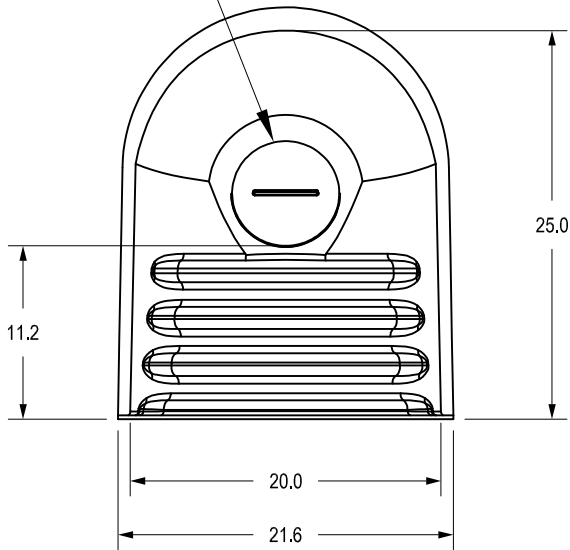
3130 VERONA AVE
BUFORD, GA 30518
PHN (770) 932-2443
FAX (770) 932-2490
www.nyloplast-us.com

TITLE
NYLOPLAST 18" ENVIROHOOD FOR UP TO 12" OUTLETS

DESIGNED TO FIT 24" DIAMETER
NYLOPLAST PVC DRAIN BASIN



REMOVABLE 6"
ACCESS PORT



THIS PRINT DISCLOSES SUBJECT MATTER IN WHICH NYLOPLAST HAS PROPRIETARY RIGHTS. THE RECEIPT OR POSSESSION OF THIS PRINT DOES NOT CONFER, TRANSFER, OR LICENSE THE USE OF THE DESIGN OR TECHNICAL INFORMATION SHOWN HEREIN. REPRODUCTION OF THIS PRINT OR ANY INFORMATION CONTAINED HEREIN, OR MANUFACTURE OF ANY ARTICLE HEREFROM, FOR THE DISCLOSURE TO OTHERS IS FORBIDDEN, EXCEPT BY SPECIFIC WRITTEN PERMISSION FROM NYLOPLAST.

©2012 NYLOPLAST

DRAWN BY JJC
DATE 07-02-12
APPD BY JJC
DATE 07-02-12

REV BY CJA
DATE 08-20-14
APPD BY CJA
DATE 08-20-14

DWG SIZE A

MATERIAL
HIGH DENSITY POLYETHYLENE

PROJECT NO./NAME

SCALE NTS SHEET 1 OF 1



TITLE

NYLOPLAST 24" ENVIROHOOD FOR UP TO 15" OUTLET

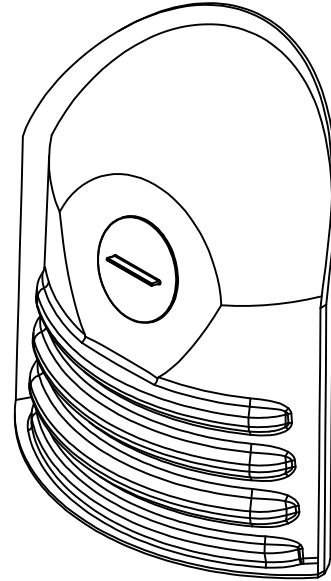
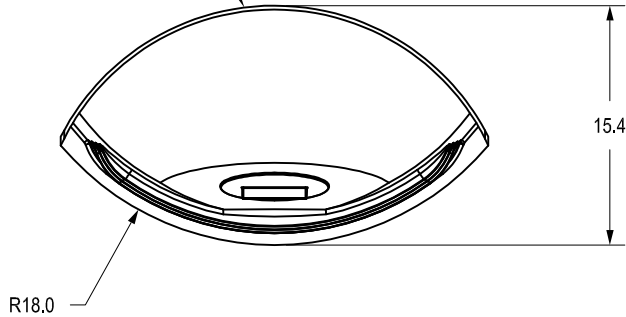
DWG NO.

7004-110-106

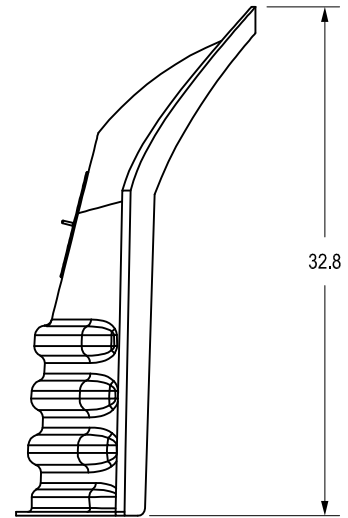
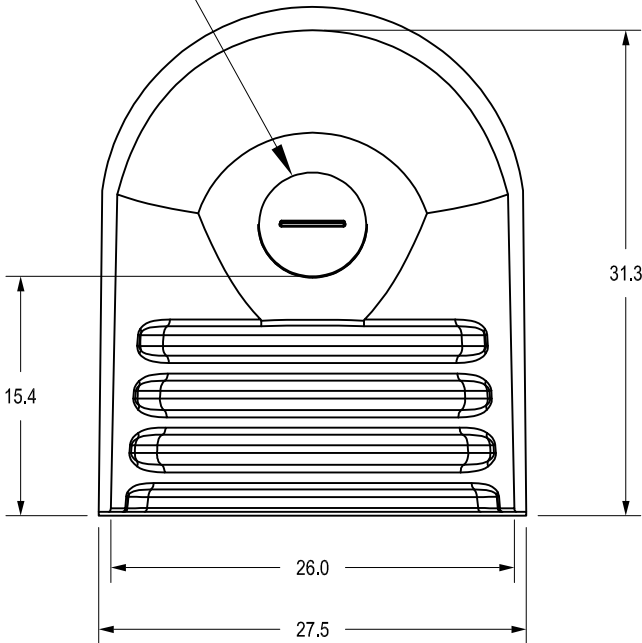
REV B

3130 VERONA AVE
BUFORD, GA 30518
PHN (770) 932-2443
FAX (770) 932-2490
www.nyloplast-us.com

DESIGNED TO FIT 30" DIAMETER
NYLOPLAST PVC DRAIN BASIN



REMOVABLE 6"
ACCESS PORT



THIS PRINT DISCLOSES SUBJECT MATTER IN WHICH NYLOPLAST HAS PROPRIETARY RIGHTS. THE RECEIPT OR POSSESSION OF THIS PRINT DOES NOT CONFER, TRANSFER, OR LICENSE THE USE OF THE DESIGN OR TECHNICAL INFORMATION SHOWN HEREIN. REPRODUCTION OF THIS PRINT OR ANY INFORMATION CONTAINED HEREIN, OR MANUFACTURE OF ANY ARTICLE HEREFROM, FOR THE DISCLOSURE TO OTHERS IS FORBIDDEN, EXCEPT BY SPECIFIC WRITTEN PERMISSION FROM NYLOPLAST.

©2012 NYLOPLAST

DRAWN BY JJC
DATE 07-02-12
APPD BY JJC
DATE 07-02-12

REV BY CJA
DATE 08-20-14
APPD BY CJA
DATE 08-20-14

DWG SIZE

A

MATERIAL

HIGH DENSITY POLYETHYLENE

PROJECT NO./NAME

SCALE

NTS

SHEET

1 OF 1



TITLE

NYLOPLAST 30" ENVIROHOOD FOR UP TO 18" OUTLET

DWG NO.

7004-110-107

REV B

3130 VERONA AVE
BUFORD, GA 30518
PHN (770) 932-2443
FAX (770) 932-2490
www.nyloplast-us.com

ENVIROHOOD STRUCTURE

The Nyloplast® EnviroHood™ is an innovative stormwater management device attached to the inside of a catch basin or manhole designed to prevent the outflow of floating debris and oil.

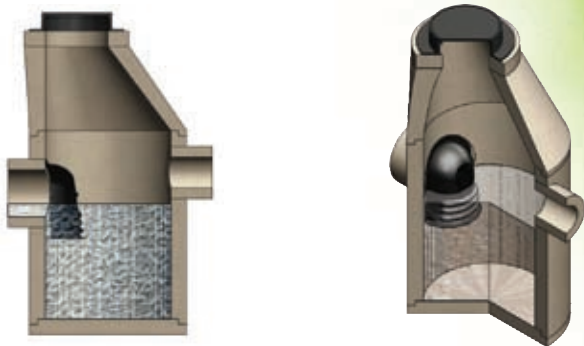
The need for cleaner stormwater has caused municipal leaders to demand forward-thinking solutions to improve their overall water quality. The EnviroHood offers lower installed costs and less intrusive installations than competitive devices.

ENGINEERED FOR OPTIMAL PERFORMANCE

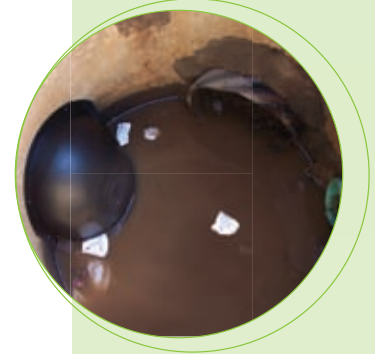
The innovative design incorporates the same proven corrugation technology used on ADS N-12® pipe products. This delivers maximum strength to weight ratio and ensures the structure is capable of supporting the hydraulic forces of a rainfall event.

FEATURES & BENEFITS:

- Molded from High Density Polyethylene (HDPE) for lightweight and sturdy design
- Corrugated design eliminates flat surfaces and provides increased structural capacity
- Effective low-cost solution for storm water treatment
- Easy to clean
- Highly corrosion-resistant for long service life



ADS Service: ADS representatives are committed to providing you with the answers to all your questions, including specifications, installation and more.



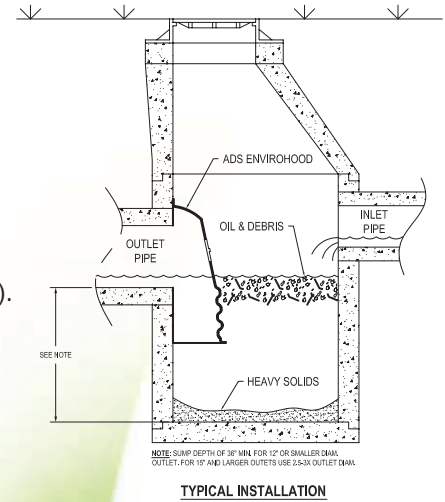
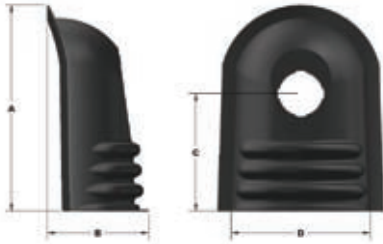
NYLOPLAST ENVIROHOOD SPECIFICATION

SCOPE

This specification describes the EnviroHood for use in stormwater conveyance systems.

REQUIREMENTS

- All hoods shall be constructed of polyethylene.
- The size and position of the hood shall be determined by the outlet pipe size as per manufacturer's recommendation.
- The bottom of the hood shall extend downward a minimum distance of 6" (15 cm) for pipes < 12" (30 cm).
- Installation hardware and instructions shall be provided by manufacturer.
- Installation shall be in accordance with Nyloplast installation procedures and those issues by local building/construction regulations.



TYPICAL INSTALLATION

STRUCTURE TYPE	OUTLET COVERED	PART NUMBER*	GENERAL DIMENSIONS in. (cm)			
			A	B	C	D
48" (120 cm) Round Concrete	up to 18" (45 cm)	5818AGR	30.2 (75)	14.9 (35)	17.2 (45)	20.5 (50)
48"-54" (120-135 cm) Round Concrete	up to 24" (60 cm)	5824AGR	41.7 (105)	18.0 (45)	26.9 (70)	26.9 (70)
54"-60" (135-150 cm) Round Concrete	up to 30" (75 cm)	5830AGR	48.7 (120)	20.5 (50)	30.5 (75)	33.1 (85)
Flat Concrete	up to 18" (45 cm)	5818AGF	30.2 (75)	11.8 (30)	17.2 (45)	20.4 (50)
Flat Concrete	up to 24" (60 cm)	5824AGF	41.8 (105)	15.3 (40)	26.9 (70)	27.0 (70)
Flat Concrete	up to 30" (75 cm)	5830AGF	48.8 (120)	18.3 (45)	30.5 (75)	34.0 (85)
18" (45 cm) Nyloplast	up to 12" (30 cm)	5818AG0412	19.4 (50)	9.8 (25)	12.3 (30)	13.8 (35)
24" (60 cm) Nyloplast	up to 15" (40 cm)	5824AG0415	26.5 (65)	12.8 (30)	14.5 (35)	20.0 (50)
30" (75 cm) Nyloplast	up to 18" (45 cm)	5830AG0418	32.8 (85)	15.4 (40)	18.7 (45)	26.0 (65)

*Includes installation hardware

For more information on EnviroHood and other ADS products, please contact our Customer Service Representatives at 1-800-821-6710

ADS "Terms and Conditions of Sale" are available on the ADS website, www.ads-pipe.com
 The ADS logo, the Green Stripe, EnviroHood™ and N-12™ are registered trademarks of Advanced Drainage Systems, Inc. Nyloplast® is a registered trademark of Nyloplast.
 © 2012 Advanced Drainage Systems, Inc. (AD330612)
 BRO 10853 07/12

