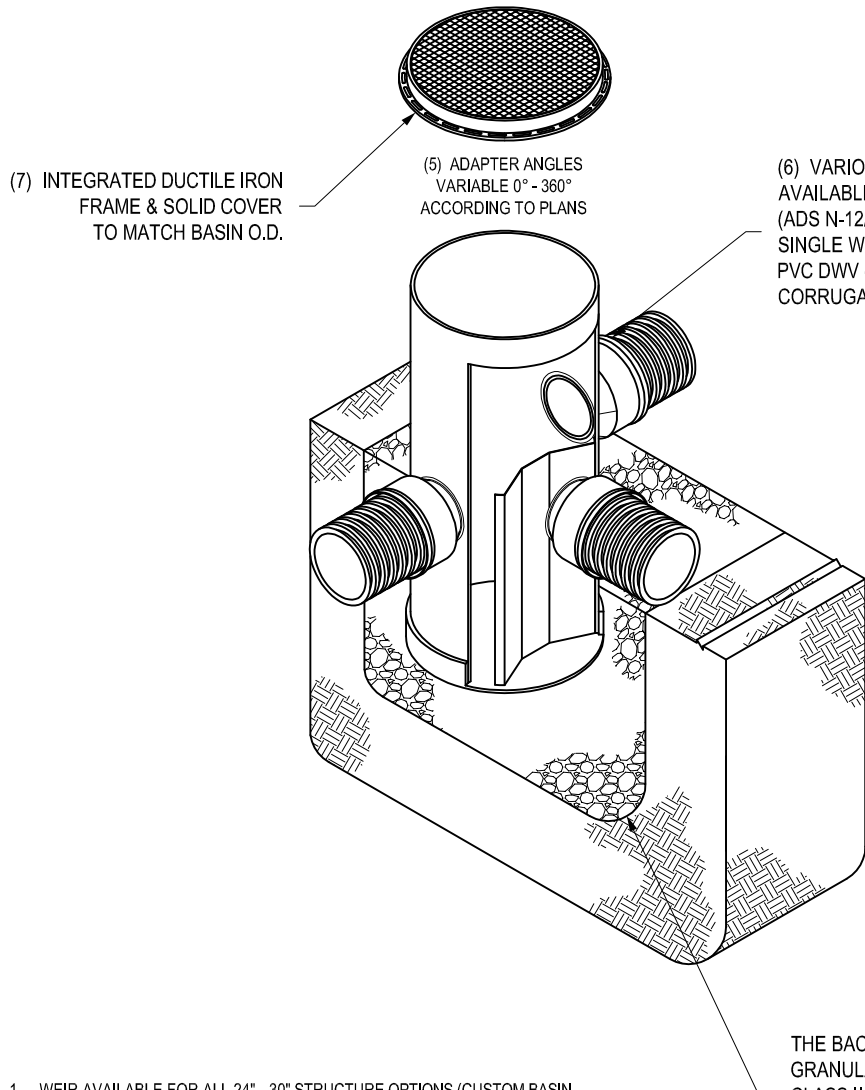


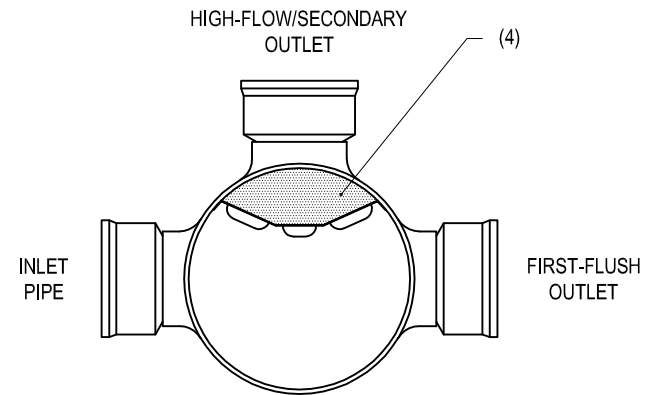
# NYLOPLAST DRAIN BASIN WITH WEIR



(7) INTEGRATED DUCTILE IRON FRAME & SOLID COVER TO MATCH BASIN O.D.

(5) ADAPTER ANGLES VARIABLE 0° - 360° ACCORDING TO PLANS

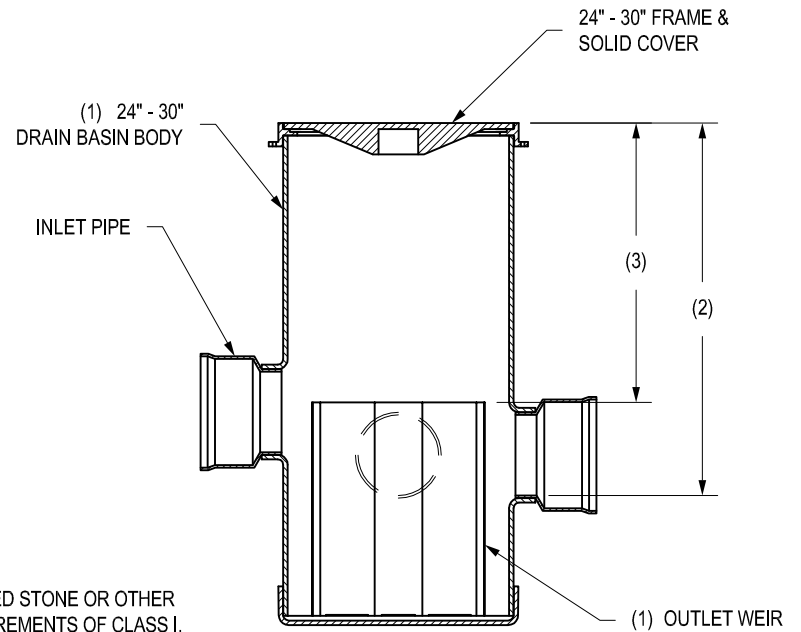
(6) VARIOUS TYPES OF INLET & OUTLET ADAPTERS AVAILABLE: 4" - 30" FOR CORRUGATED HDPE (ADS N-12/HANCOR DUAL WALL, ADS/HANCOR SINGLE WALL), N-12 HP, PVC SEWER (EX: SDR 35), PVC DWV (EX: SCH 40), PVC C900/C905, CORRUGATED & RIBBED PVC



INLET PIPE

FIRST-FLUSH OUTLET

HIGH-FLOW/SECONDARY OUTLET (4)



(1) 24" - 30" DRAIN BASIN BODY

INLET PIPE

24" - 30" FRAME & SOLID COVER

(3)

(2)

(1) OUTLET WEIR

SIDE SECTION & TOP VIEW:  
ENLARGED TO SHOW DETAIL

THE BACKFILL MATERIAL SHALL BE CRUSHED STONE OR OTHER GRANULAR MATERIAL MEETING THE REQUIREMENTS OF CLASS I, CLASS II, OR CLASS III MATERIAL AS DEFINED IN ASTM D2321. BEDDING & BACKFILL FOR SURFACE DRAINAGE INLETS SHALL BE PLACED & COMPACTED UNIFORMLY IN ACCORDANCE WITH ASTM D2321.

- 1 - WEIR AVAILABLE FOR ALL 24" - 30" STRUCTURE OPTIONS (CUSTOM BASIN, ROAD & HIGHWAY, & CURB INLET).
- 2 - DRAIN BASIN TO BE CUSTOM MANUFACTURED ACCORDING TO PLAN DETAILS. RISERS ARE NEEDED FOR BASINS OVER 84" DUE TO SHIPPING RESTRICTIONS SEE DRAWING NO. 7001-110-065.
- 3 - HEIGHT OF WEIR TO BE DETERMINED BY ENGINEER. **WEIR HEIGHT CANNOT EXCEED 84" DUE TO MANUFACTURING AND SHIPPING RESTRICTIONS.**
- 4 - WEIR MANUFACTURED TO MINIMIZE LOSS OF OUTLET PIPE OPEN AREA.
- 5 - ADAPTERS CAN BE MOUNTED ON ANY ANGLE 0° TO 360°. TO DETERMINE MINIMUM ANGLE BETWEEN ADAPTERS SEE DRAWING NO. 7001-110-012.
- 6 - DRAINAGE CONNECTION STUB JOINT TIGHTNESS SHALL CONFORM TO ASTM D3212 FOR CORRUGATED HDPE (ADS N-12/HANCOR DUAL WALL), N-12 HP, & PVC SEWER (4" - 24").
- 7 - FRAMES, GRATES, COVERS, HOODS, & BASE PLATES SHALL BE DUCTILE IRON PER ASTM A536 GRADE 70-50-05.

THIS PRINT DISCLOSES SUBJECT MATTER IN WHICH NYLOPLAST HAS PROPRIETARY RIGHTS. THE RECEIPT OR POSSESSION OF THIS PRINT DOES NOT CONFER, TRANSFER, OR LICENSE THE USE OF THE DESIGN OR TECHNICAL INFORMATION SHOWN HEREIN REPRODUCTION OF THIS PRINT OR ANY INFORMATION CONTAINED HEREIN, OR MANUFACTURE OF ANY ARTICLE HEREFROM, FOR THE DISCLOSURE TO OTHERS IS FORBIDDEN, EXCEPT BY SPECIFIC WRITTEN PERMISSION FROM NYLOPLAST.

©2013 NYLOPLAST

DRAWN BY	EBC	MATERIAL
DATE	05-10-06	
REVISED BY	NMH	PROJECT NO./NAME
DATE	03-16-16	
DWG SIZE	A	SCALE 1:40 SHEET 1 OF 1

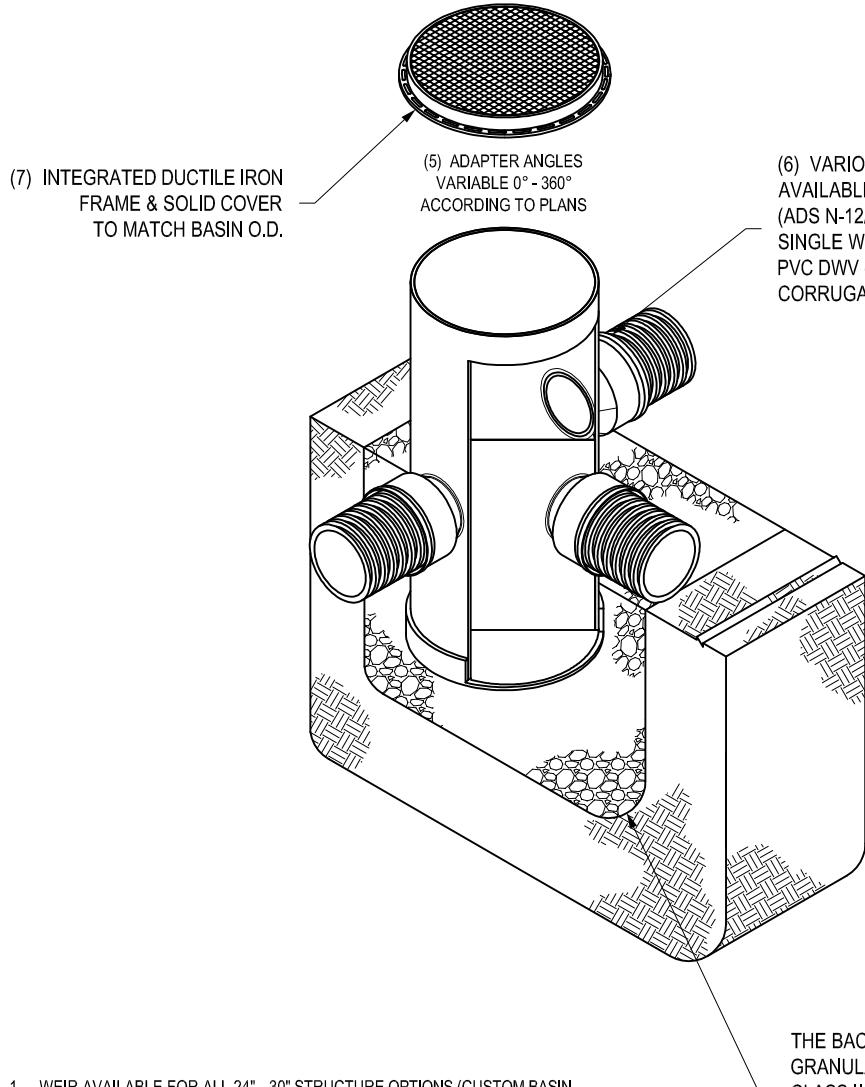
3130 VERONA AVE  
BUFORD, GA 30518  
PHN (770) 932-2443  
FAX (770) 932-2490  
www.nyloplast-us.com

**Nyloplast**

TITLE  
**DRAIN BASIN WITH WEIR  
QUICK SPEC INSTALLATION DETAIL**

DWG NO. 7004-110-058 REV G

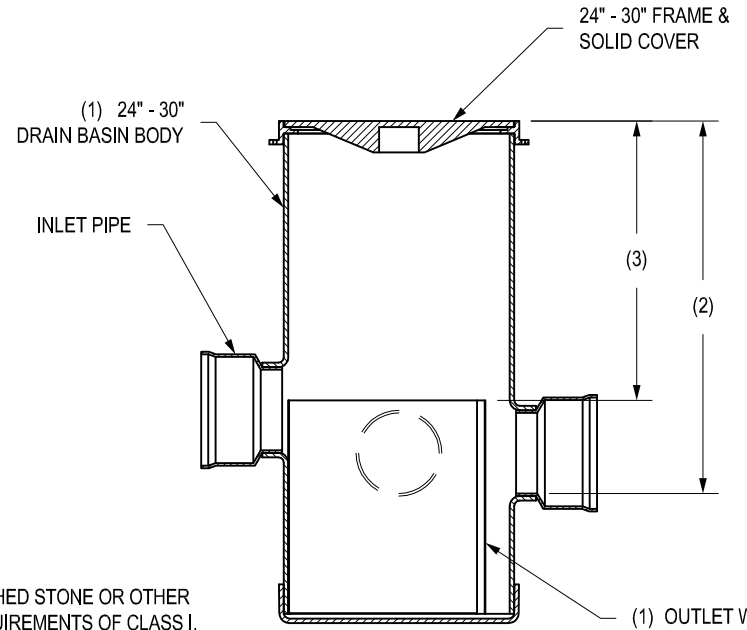
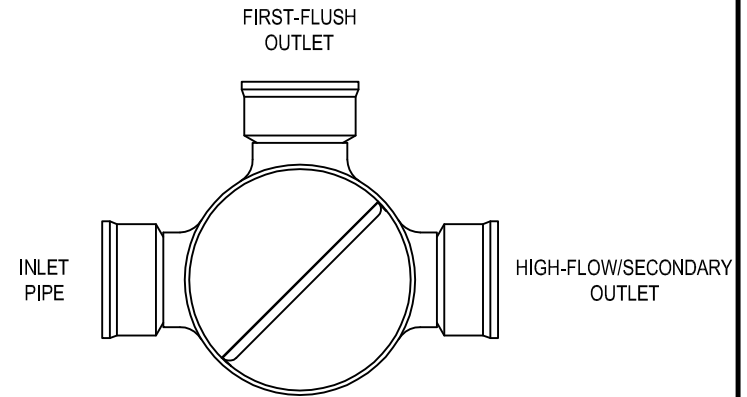
# NYLOPLAST DRAIN BASIN WITH STRAIGHT WEIR



(7) INTEGRATED DUCTILE IRON FRAME & SOLID COVER TO MATCH BASIN O.D.

(5) ADAPTER ANGLES VARIABLE 0° - 360° ACCORDING TO PLANS

(6) VARIOUS TYPES OF INLET & OUTLET ADAPTERS AVAILABLE: 4" - 30" FOR CORRUGATED HDPE (ADS N-12/HANCOR DUAL WALL, ADS/HANCOR SINGLE WALL), N-12 HP, PVC SEWER (EX: SDR 35), PVC DWV (EX: SCH 40), PVC C900/C905, CORRUGATED & RIBBED PVC



SIDE SECTION & TOP VIEW:  
ENLARGED TO SHOW DETAIL


THE BACKFILL MATERIAL SHALL BE CRUSHED STONE OR OTHER GRANULAR MATERIAL MEETING THE REQUIREMENTS OF CLASS I, CLASS II, OR CLASS III MATERIAL AS DEFINED IN ASTM D2321. BEDDING & BACKFILL FOR SURFACE DRAINAGE INLETS SHALL BE PLACED & COMPACTED UNIFORMLY IN ACCORDANCE WITH ASTM D2321.

- 1 - WEIR AVAILABLE FOR ALL 24" - 30" STRUCTURE OPTIONS (CUSTOM BASIN, ROAD & HIGHWAY, & CURB INLET).
- 2 - DRAIN BASIN TO BE CUSTOM MANUFACTURED ACCORDING TO PLAN DETAILS. RISERS ARE NEEDED FOR BASINS OVER 84" DUE TO SHIPPING RESTRICTIONS SEE DRAWING NO. 7001-110-065.
- 3 - HEIGHT OF WEIR TO BE DETERMINED BY ENGINEER. **WEIR HEIGHT CANNOT EXCEED 84" DUE TO MANUFACTURING AND SHIPPING RESTRICTIONS.**
- 4 - WEIR MANUFACTURED TO MINIMIZE LOSS OF OUTLET PIPE OPEN AREA.
- 5 - ADAPTERS CAN BE MOUNTED ON ANY ANGLE 0° TO 360°. TO DETERMINE MINIMUM ANGLE BETWEEN ADAPTERS SEE DRAWING NO. 7001-110-012.
- 6 - DRAINAGE CONNECTION STUB JOINT TIGHTNESS SHALL CONFORM TO ASTM D3212 FOR CORRUGATED HDPE (ADS N-12/HANCOR DUAL WALL), N-12 HP, & PVC SEWER (4" - 24").
- 7 - FRAMES, GRATES, COVERS, HOODS, & BASE PLATES SHALL BE DUCTILE IRON PER ASTM A536 GRADE 70-50-05.

THIS PRINT DISCLOSES SUBJECT MATTER IN WHICH NYLOPLAST HAS PROPRIETARY RIGHTS. THE RECEIPT OR POSSESSION OF THIS PRINT DOES NOT CONFER, TRANSFER, OR LICENSE THE USE OF THE DESIGN OR TECHNICAL INFORMATION SHOWN HEREIN REPRODUCTION OF THIS PRINT OR ANY INFORMATION CONTAINED HEREIN, OR MANUFACTURE OF ANY ARTICLE HEREFROM, FOR THE DISCLOSURE TO OTHERS IS FORBIDDEN, EXCEPT BY SPECIFIC WRITTEN PERMISSION FROM NYLOPLAST.

©2007 NYLOPLAST

DRAWN BY	NMH	MATERIAL		
DATE	9-19-16			
APPD BY	NMH	PROJECT NO./NAME		
DATE	9-19-16			
DWG SIZE	A	SCALE	1:40	SHEET 1 OF 1



**Nyloplast**

3130 VERONA AVE  
BUFORD, GA 30518  
PHN (770) 932-2443  
FAX (770) 932-2490  
www.nyloplast-us.com

TITLE	DRAIN BASIN WITH STRAIGHT WEIR QUICK SPEC INSTALLATION DETAIL		
DWG NO.	7004-110-134	REV	A

## Section 2721

### Engineered Surface Drainage Products

**GENERAL**

PVC surface drainage inlets shall include the drain basin type as indicated on the contract drawing and referenced within the contract specifications. The ductile iron grates for each of these fittings are to be considered an integral part of the surface drainage inlet and shall be furnished by the same manufacturer. The surface drainage inlets shall be as manufactured by Nyloplast a division of Advanced Drainage Systems, Inc., or prior approved equal.


**MATERIALS**

The drain basins required for this contract shall be manufactured from PVC pipe stock, utilizing a thermoforming process to reform the pipe stock to the specified configuration. The drainage pipe connection stubs shall be manufactured from PVC pipe stock and formed to provide a watertight connection with the specified pipe system. This joint tightness shall conform to ASTM D3212 for joints for drain and sewer plastic pipe using flexible elastomeric seals. The flexible elastomeric seals shall conform to ASTM F477. The pipe bell spigot shall be joined to the main body of the drain basin or catch basin. The raw material used to manufacture the pipe stock that is used to manufacture the main body and pipe stubs of the surface drainage inlets shall conform to ASTM D1784 cell class 12454.

The grates and frames furnished for all surface drainage inlets shall be ductile iron for sizes 8", 10", 12", 15", 18", 24" and 30" and shall be made specifically for each basin so as to provide a round bottom flange that closely matches the diameter of the surface drainage inlet. Grates for drain basins shall be capable of supporting various wheel loads as specified by Nyloplast. 12" and 15" square grates will be hinged to the frame using pins. Ductile iron used in the manufacture of the castings shall conform to ASTM A536 grade 70-50-05. Grates and covers shall be provided painted black.

**INSTALLATION**

The specified PVC surface drainage inlet shall be installed using conventional flexible pipe backfill materials and procedures. The backfill material shall be crushed stone or other granular material meeting the requirements of class 1, class 2, or class 3 material as defined in ASTM D2321. Bedding and backfill for surface drainage inlets shall be well placed and compacted uniformly in accordance with ASTM D2321. The drain basin body will be cut at the time of the final grade. No brick, stone or concrete block will be required to set the grate to the final grade height. For load rated installations, a concrete slab shall be poured under and around the grate and frame. The concrete slab must be designed taking into consideration local soil conditions, traffic loading, and other applicable design factors. For other installation considerations such as migration of fines, ground water, and soft foundations refer to ASTM D2321 guidelines.

THIS PRINT DISCLOSES SUBJECT MATTER IN WHICH NYLOPLAST HAS PROPRIETARY RIGHTS. THE RECEIPT OR POSSESSION OF THIS PRINT DOES NOT CONFER, TRANSFER, OR LICENSE THE USE OF THE DESIGN OR TECHNICAL INFORMATION SHOWN HEREIN REPRODUCTION OF THIS PRINT OR ANY INFORMATION CONTAINED HEREIN, OR MANUFACTURE OF ANY ARTICLE HEREFROM, FOR THE DISCLOSURE TO OTHERS IS FORBIDDEN, EXCEPT BY SPECIFIC WRITTEN PERMISSION FROM NYLOPLAST. ©2013 NYLOPLAST	DRAWN BY	CJA	MATERIAL			3130 VERONA AVE BUFORD, GA 30518 PHN (770) 932-2443 FAX (770) 932-2490 www.nyloplast-us.com						
	DATE	3-10-00	PROJECT NO./NAME									
	REVISED BY	NMH	DATE		TITLE							
	DATE	03-11-16	DWG SIZE		A	SCALE	1:1	SHEET	1 OF 1	DWG NO.	7001-110-011	REV